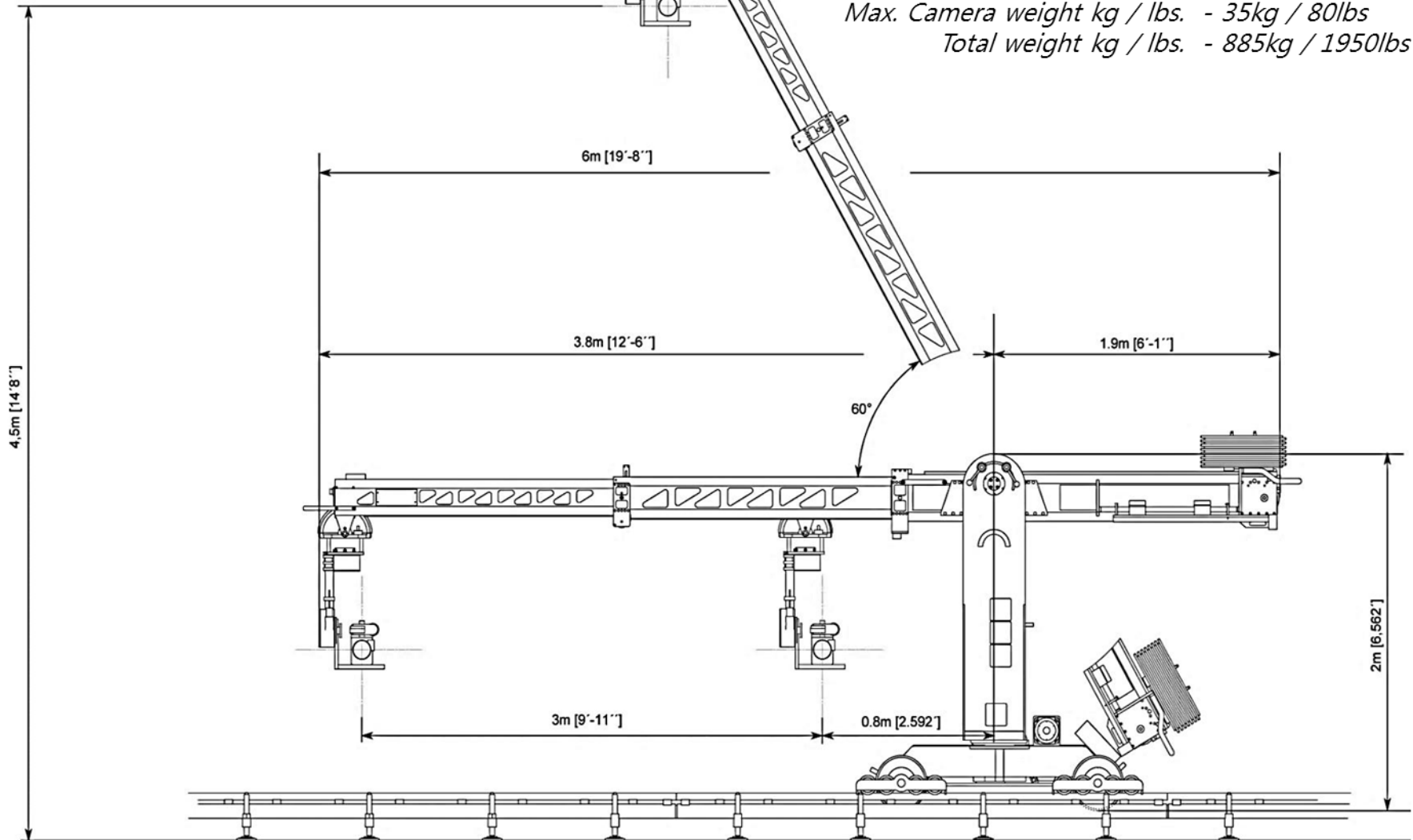
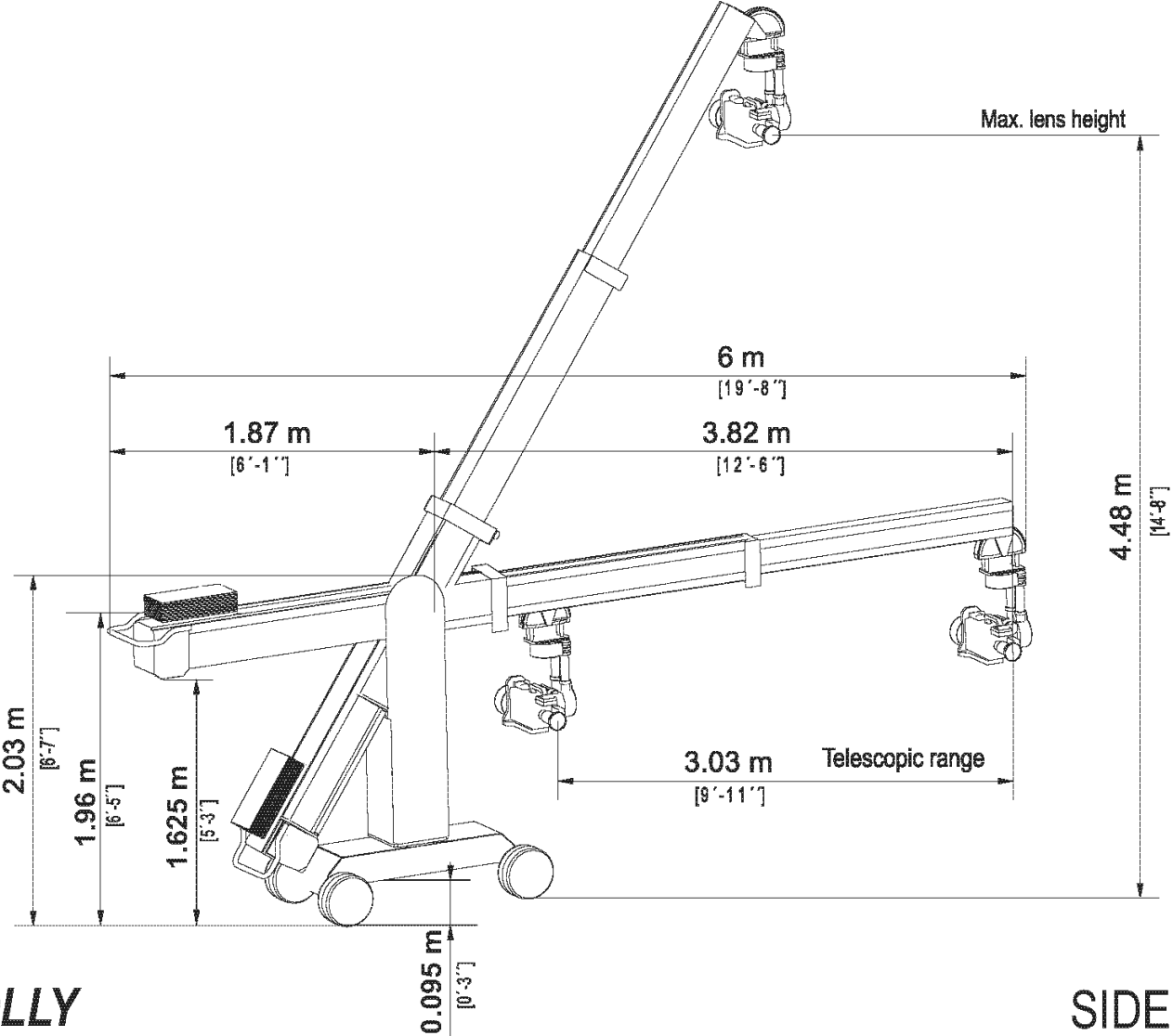


Technodolly(mcc)

Max. Lens height m / ft. - 4.7m / 15.4ft
Max. Telescopic extent m / ft. - 3.1m / 10.2ft
Telescopic speed m / ft. sec - 1.5m / 4.9ft
Door Clearance - 2m / 6.6ft
Max. Camera weight kg / lbs. - 35kg / 80lbs
Total weight kg / lbs. - 885kg / 1950lbs



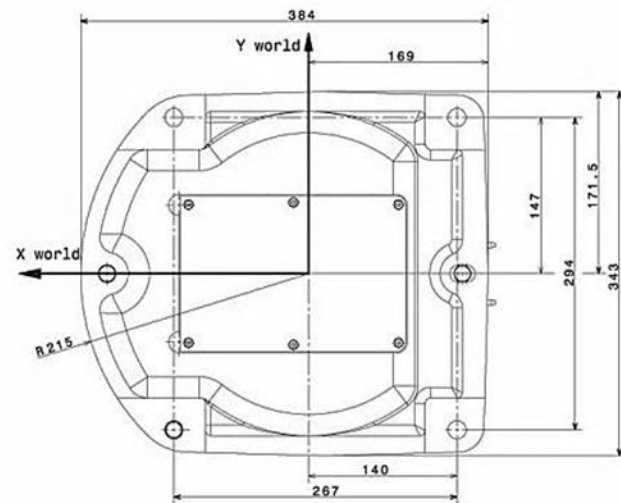
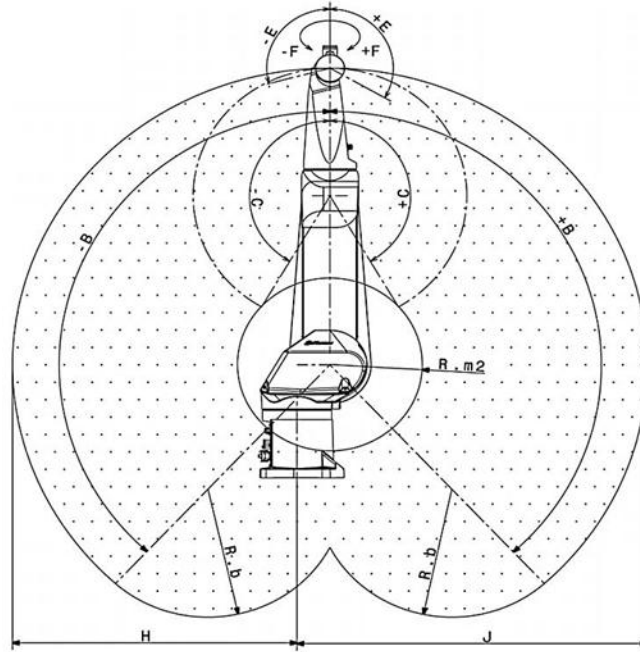
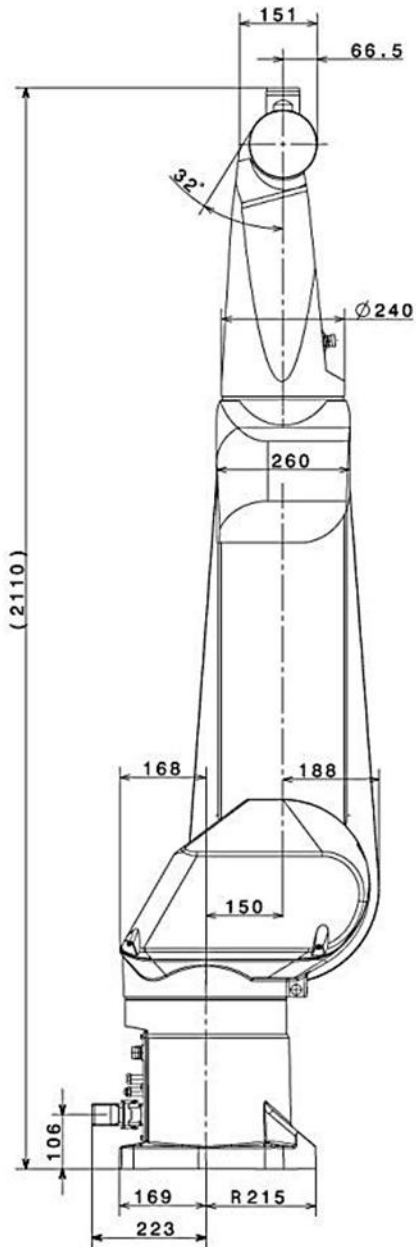
Technodolly(mcc)



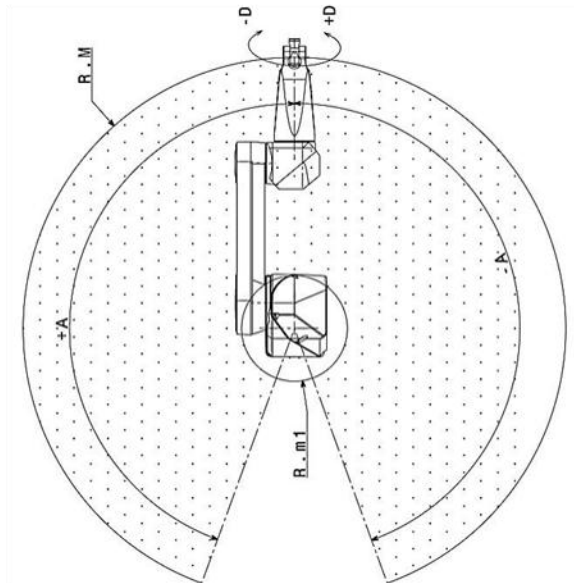
TECHNODOLLY

SIDE VIEW

Robot Arm (MCC)

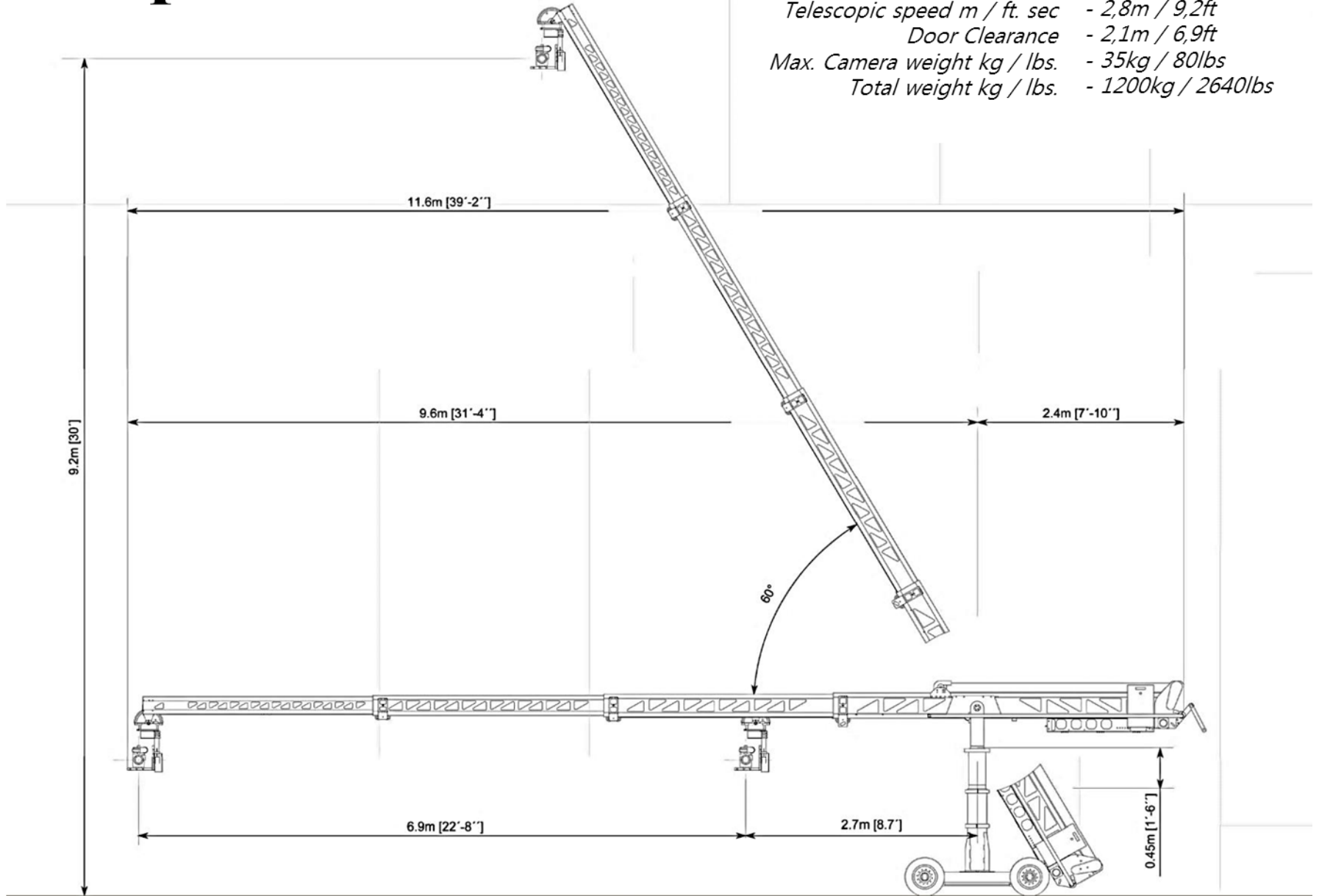


- Max. Reach : 1,900mm
- Max. Speed : 10m/s
- Arm Weight : 250Kg
- Repeatability : +- 0.05mm
- Max. Camera : 2,050mm
- Total Weight : 700kg
- Camera Payload : 14kg
- Power Supply : 3-Phase 400-480V
3-Phase 200-230V
- Max Linear track : 3.0 m/s



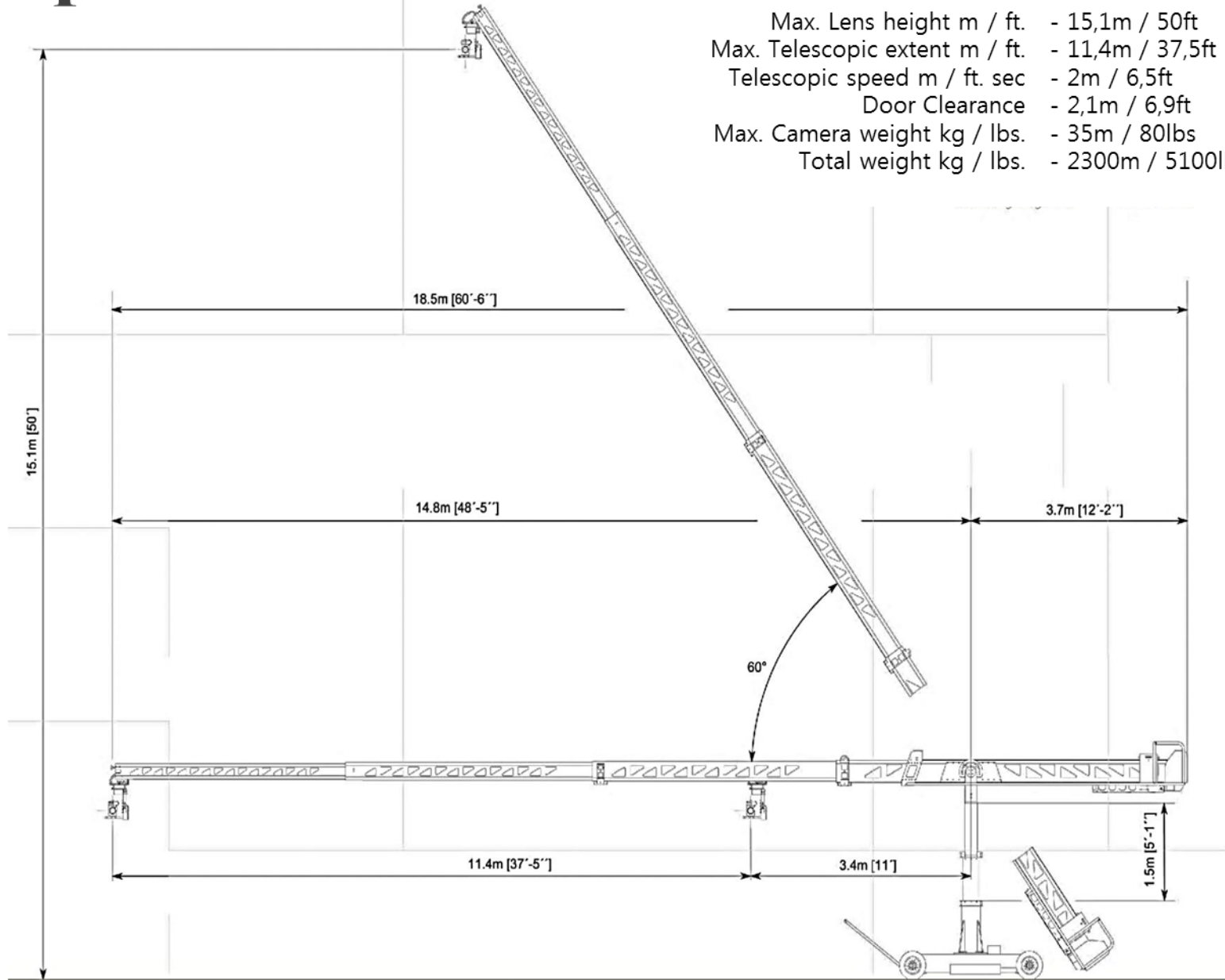
Supertechno30

- Max. Lens height m / ft. - 9,2m / 30ft
- Max. Telescopic extent m / ft. - 6,9m / 22ft
- Telescopic speed m / ft. sec - 2,8m / 9,2ft
- Door Clearance - 2,1m / 6,9ft
- Max. Camera weight kg / lbs. - 35kg / 80lbs
- Total weight kg / lbs. - 1200kg / 2640lbs

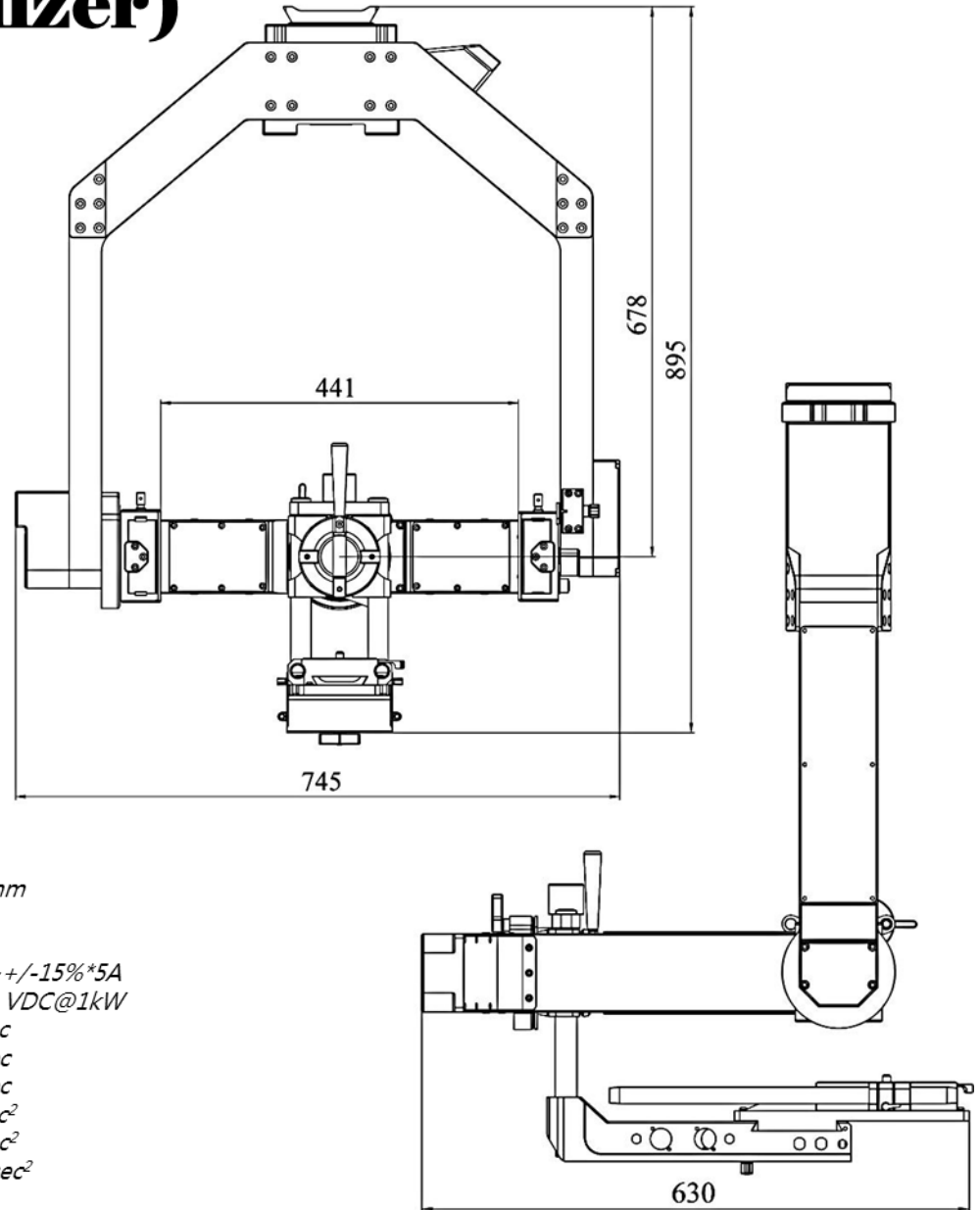
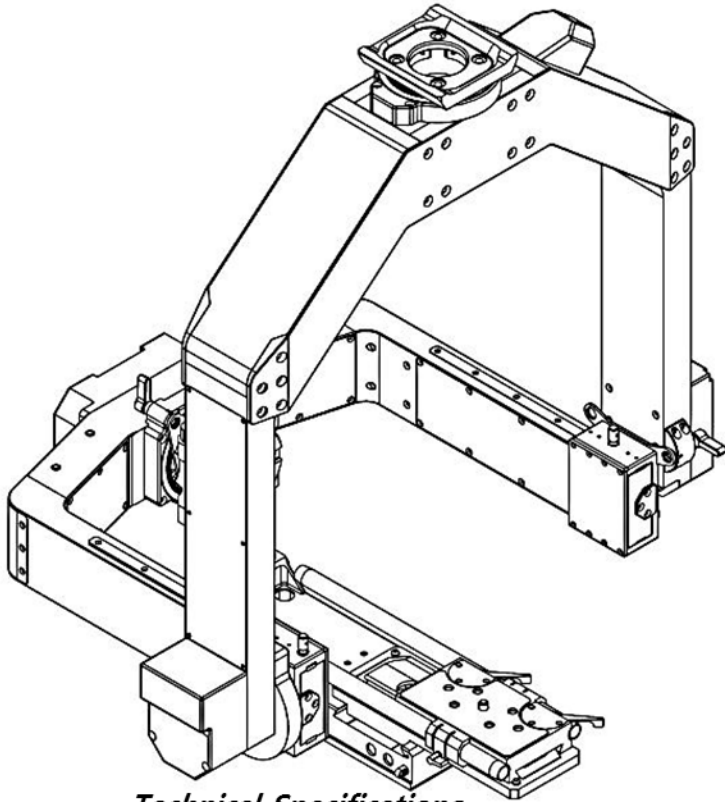


Supertechno50

- Max. Lens height m / ft. - 15,1m / 50ft
- Max. Telescopic extent m / ft. - 11,4m / 37,5ft
- Telescopic speed m / ft. sec - 2m / 6,5ft
- Door Clearance - 2,1m / 6,9ft
- Max. Camera weight kg / lbs. - 35m / 80lbs
- Total weight kg / lbs. - 2300m / 5100lbs



Active Head (stabilizer)



Technical Specifications

Height-(높이)	최대 895 mm
Width-(폭)	745 mm
Depth-(깊이)	630 mm
Power supply AC-(전원 AC)	최대 220V~ +/-15%*5A
Power supply AC-(전원 DC)	피크 19-72 VDC@1kW
Pan angular speed (max)-팬 속도(최대)	200 deg/sec
Tilt angular speed (max)-틸 속도(최대)	200 deg/sec
Roll angular speed (max)-롤 속도(최대)	200 deg/sec
Pan angular acceleration-(팬 가속도)	600 deg/sec ²
Tilt angular acceleration-(틸 가속도)	800 deg/sec ²
Roll angular acceleration-(롤 가속도)	1000 deg/sec ²
Weight-(중량)	25 kg